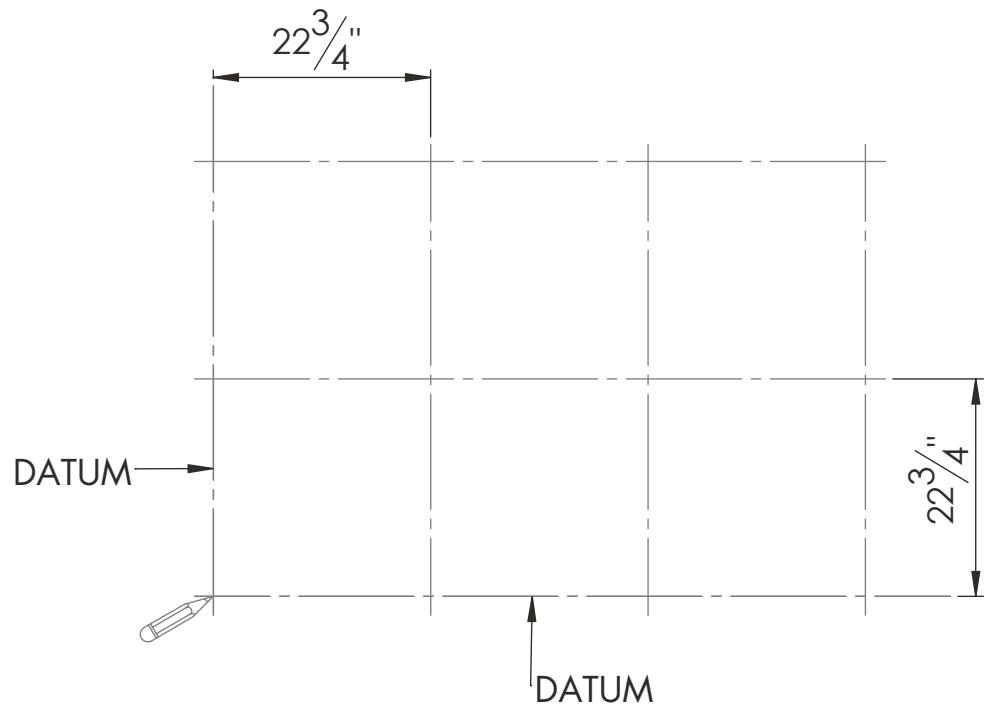
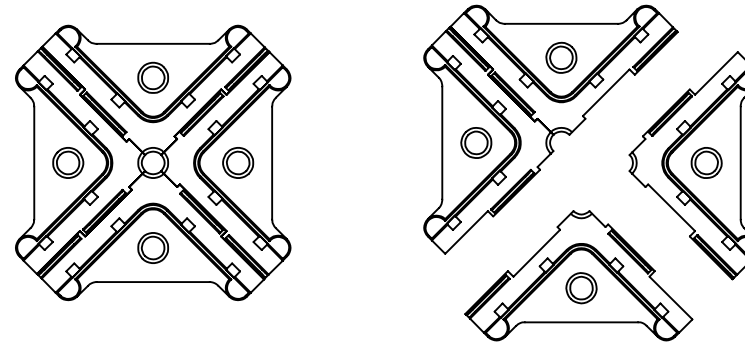


# 3D WALL TILES INSTALLATION INSTRUCTIONS

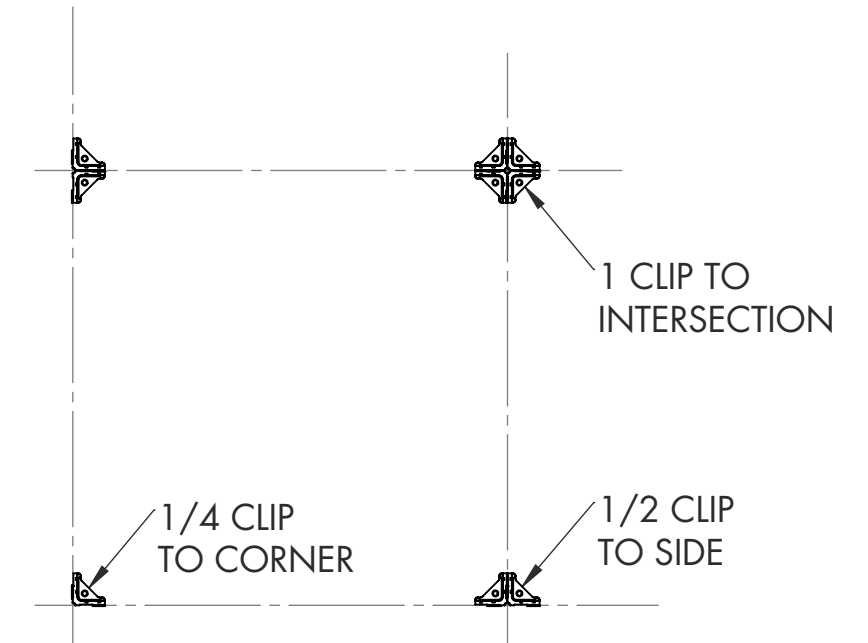
## SQUARE TILES



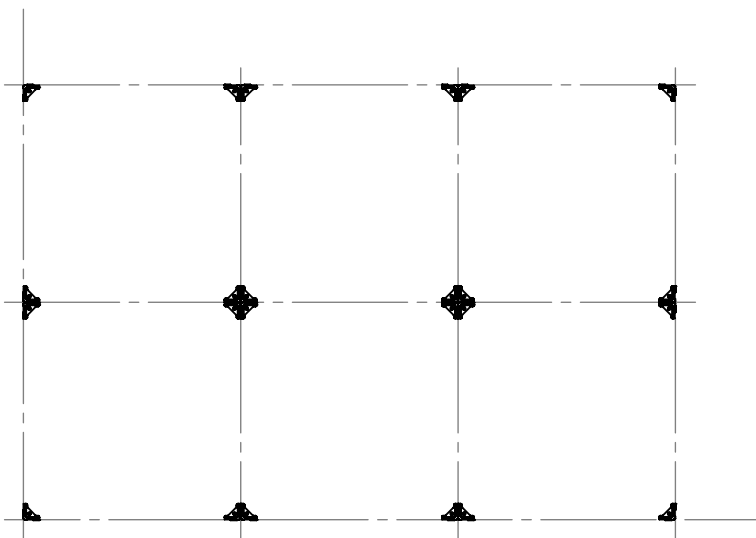
**1** Mark DATUM lines and chalk out a grid



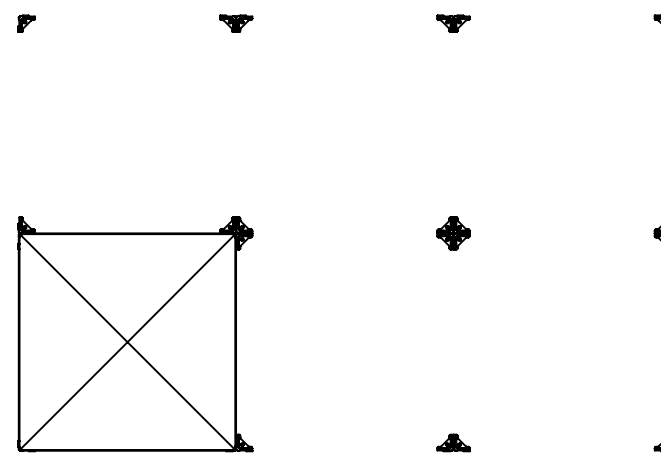
**2** Supplied clip snaps as required



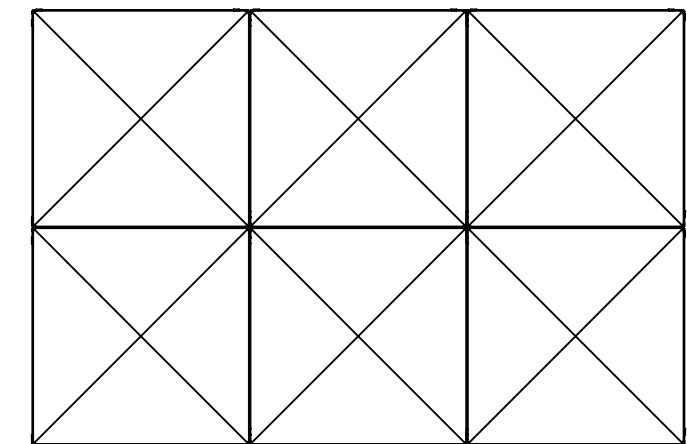
**3** Set clips out as shown. Fix to substrate with suitable screwfixing.



**4** Once clips are secured, remove any chalklines.



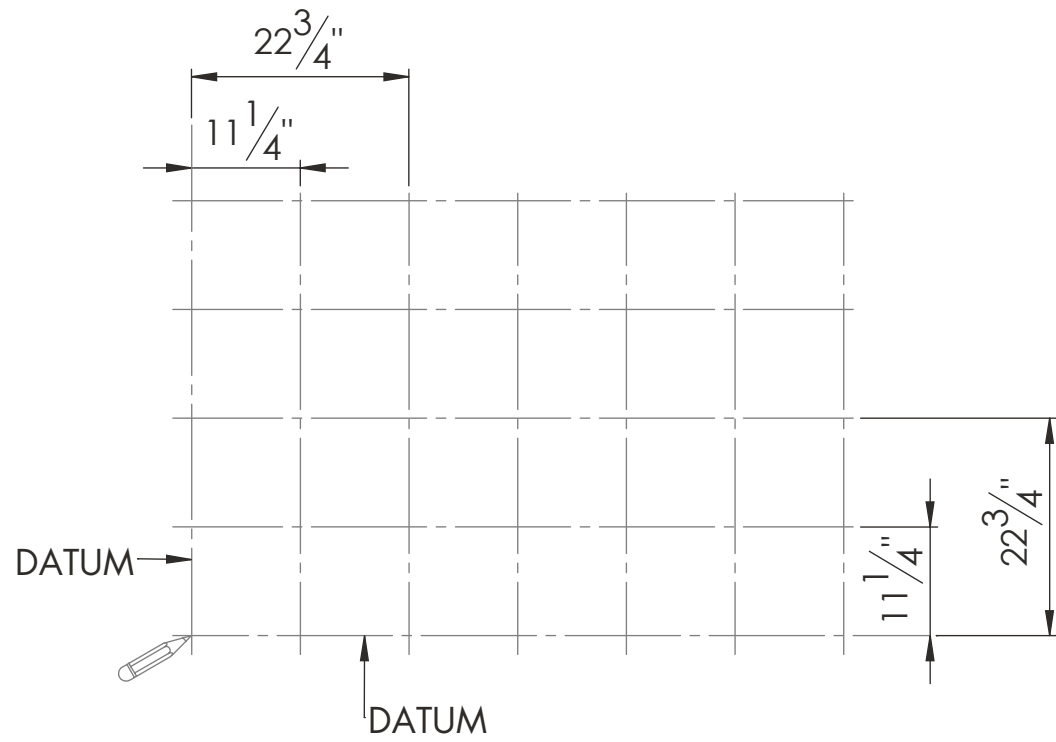
**5** Lay out tiles, starting in the corner.



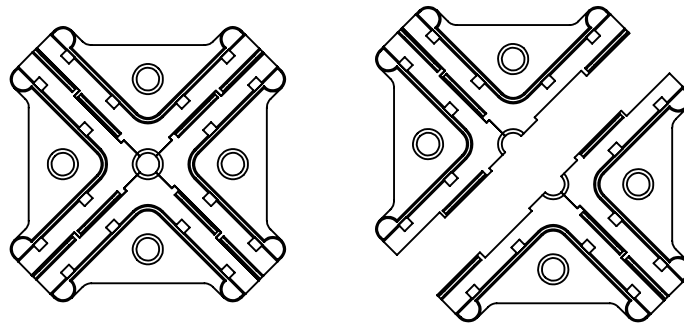
**6** Finished

# 3D WALL TILES INSTALLATION INSTRUCTIONS

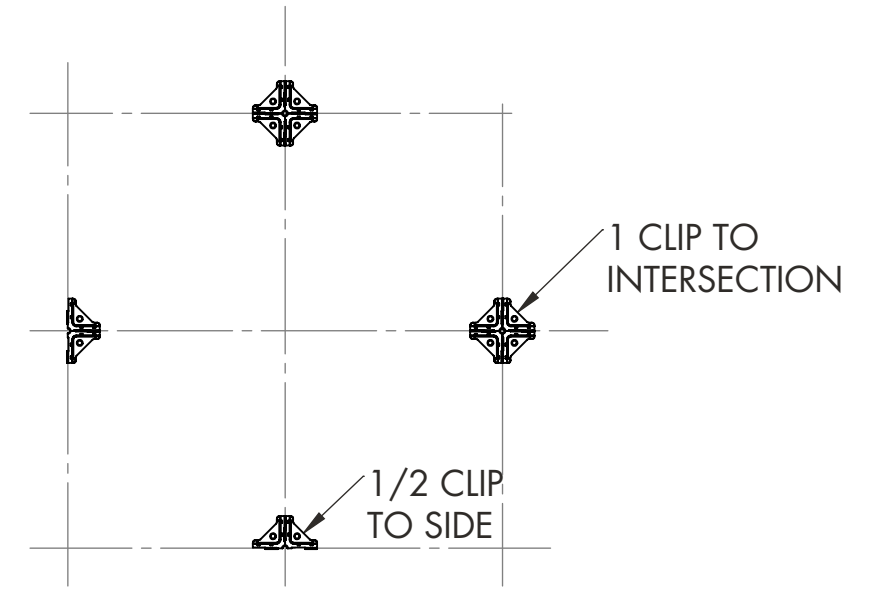
## ROUND TILES



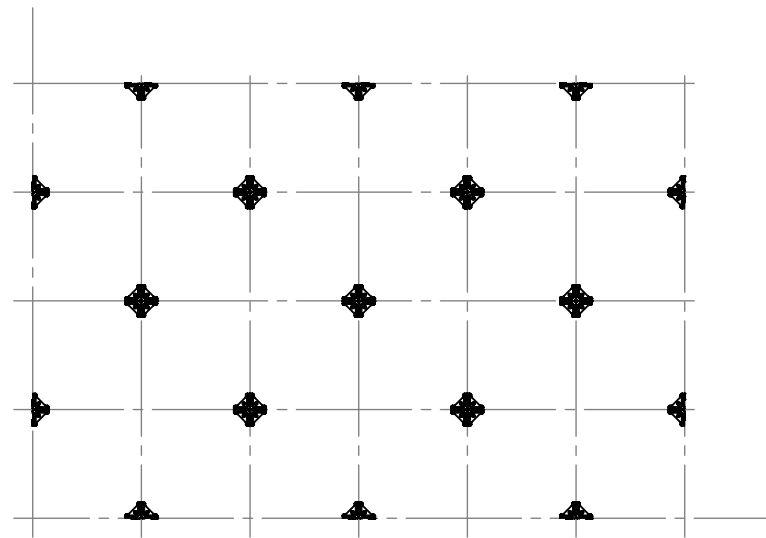
**1** Mark DATUM lines and chalk out a grid



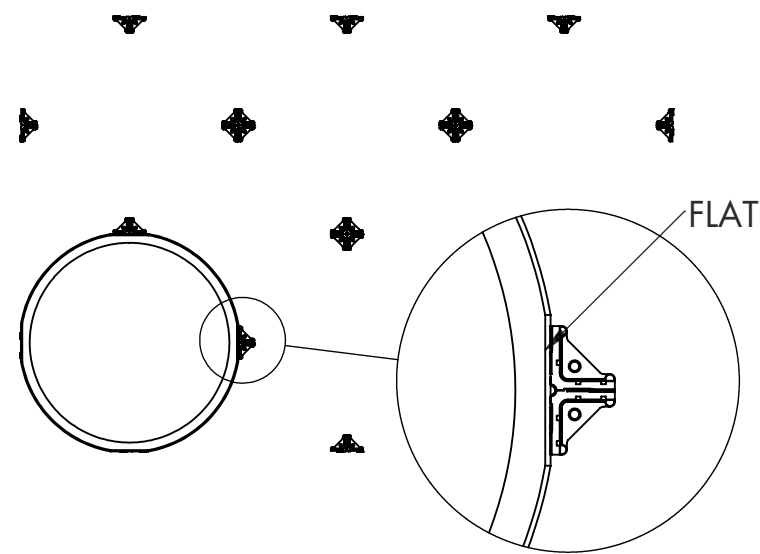
**2** Supplied clip snaps as required



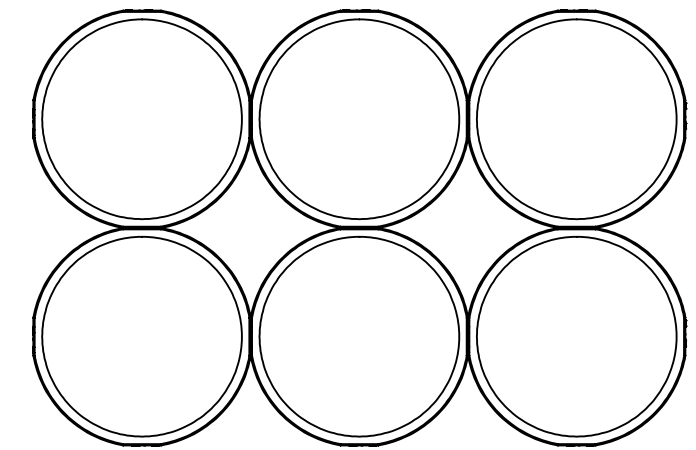
**3** Set clips out as shown. Fix to substrate with suitable screwfixing.



**4** Once clips are secured, remove any chalklines.



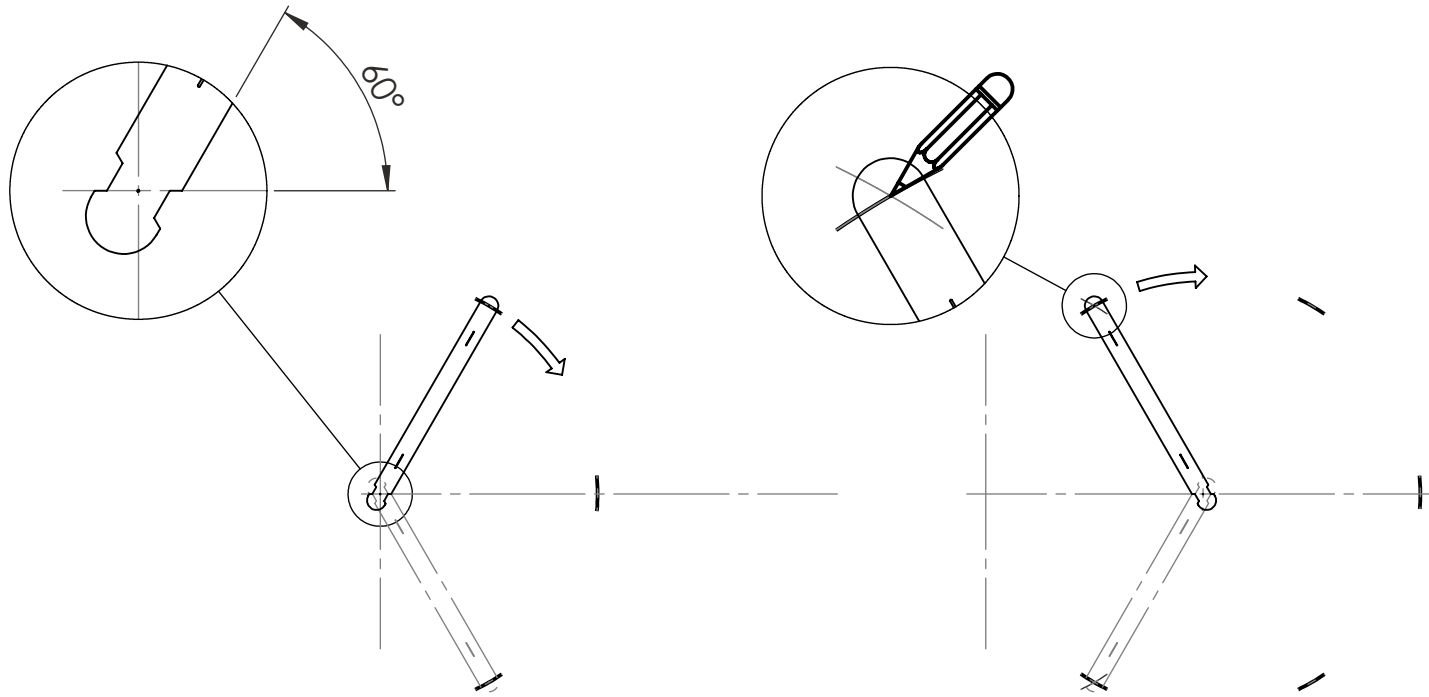
**5** Lay out tiles, starting in the corner. Align the flats on the tiles with the clips.



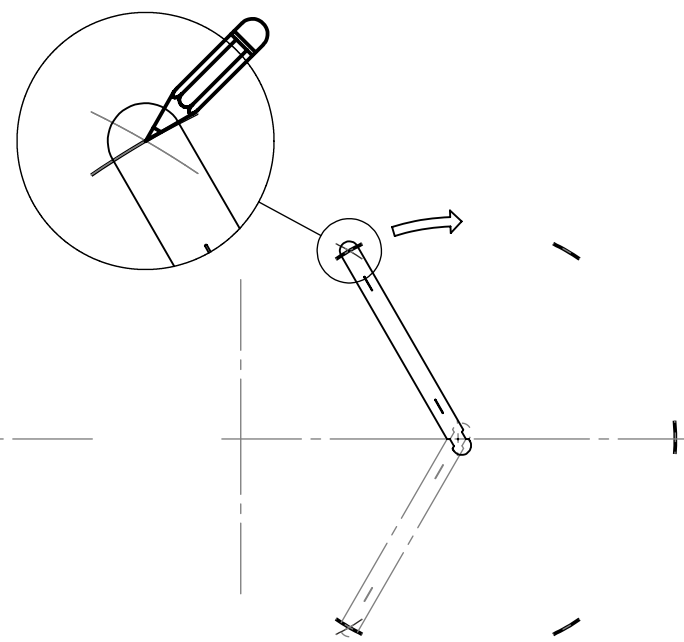
**6** Finished

# 3D WALL TILES INSTALLATION INSTRUCTIONS

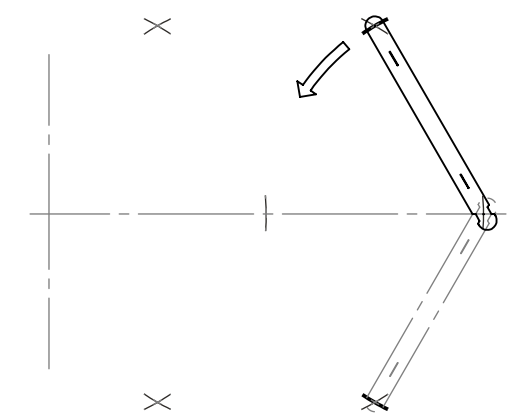
## TRIANGLE TILES



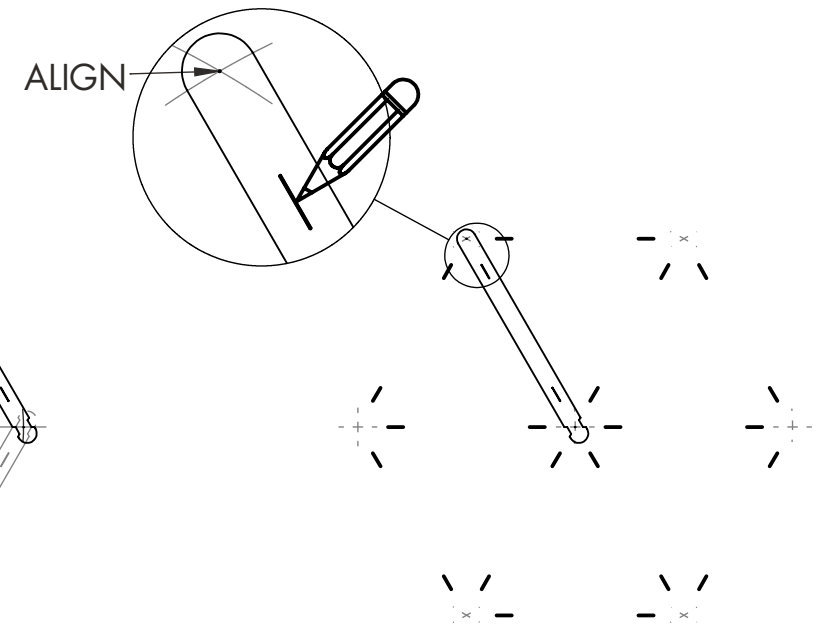
**1** Mark datum lines. Use compass tool to scribe marks at 60°



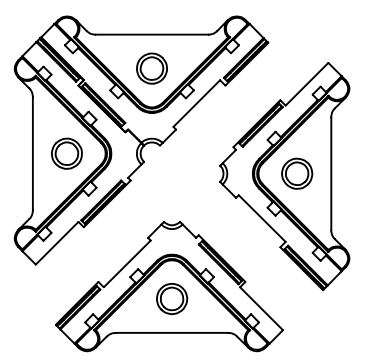
**2** Move compass to next datum intersect. Use compass tool again to scribe marks at 60°



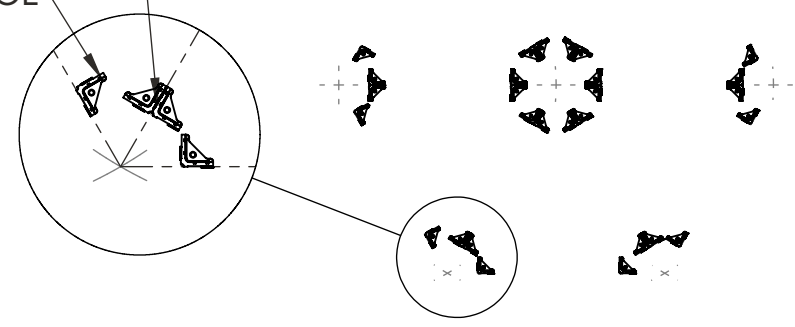
**3** Repeat step 2



**4** When all points have been determined, use compass tool to mark clip locations BETWEEN POINTS

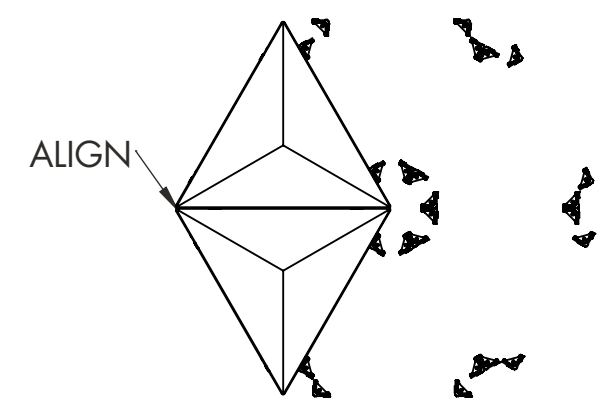


1 CLIP TO INTERSECTION  
1/4 CLIP TO EDGE

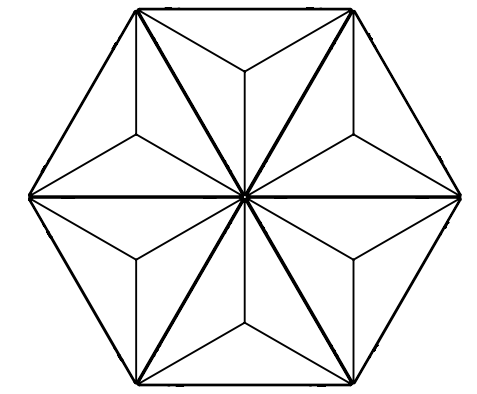


**5** Supplied clip snaps as required

**6** Clean unnecessary markings and set clips out as shown. Fix to substrate with suitable screwfixing.



**7** Lay out tiles, be careful to align tile points.



**8** Finished